

TABLE - 2

Table with 5 columns: Pipe dia (mm), Pipe OD (mm), Angle (degrees), A (mm), B (mm), C (mm), D (mm), E (mm). Rows include vertical upturn bends for BWSG pipe and vertical downturn bends for DI-K7 and DI-K9 pipes.

TABLE - 3

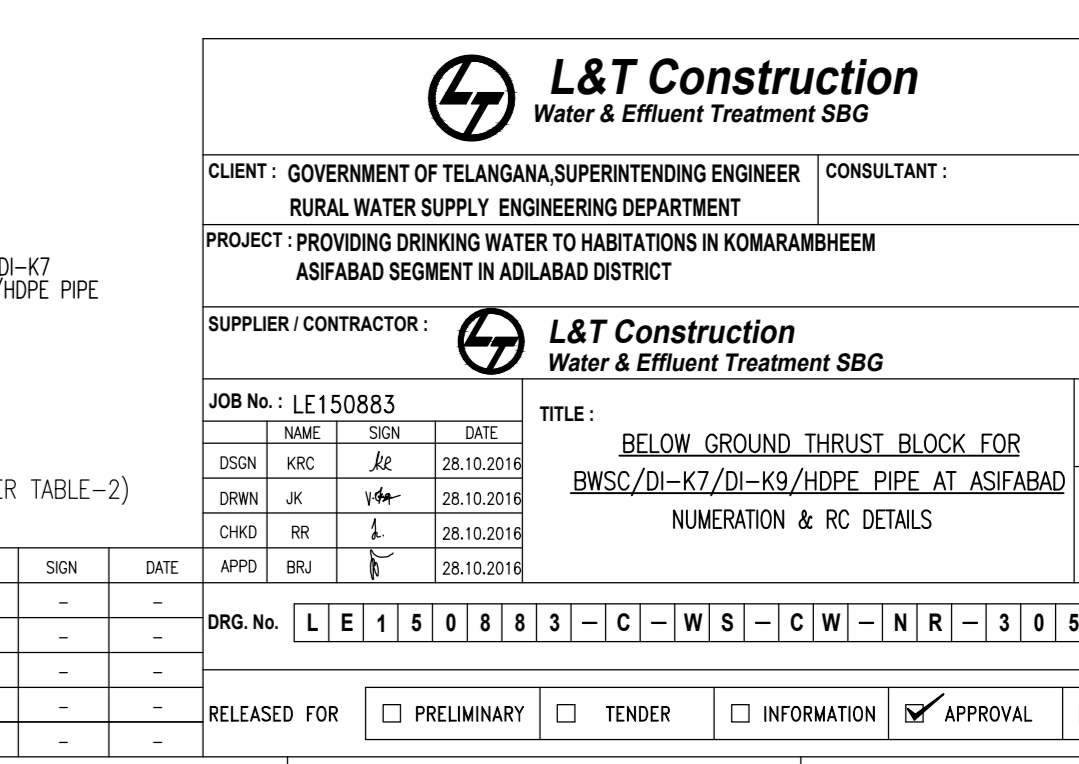
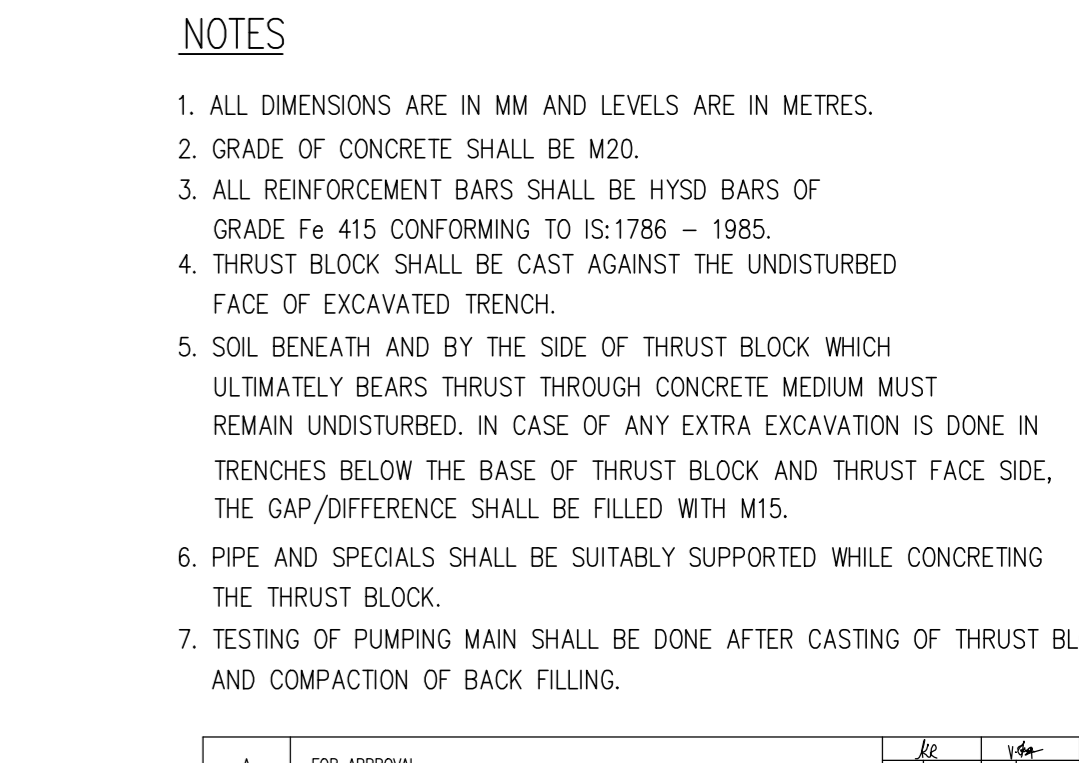
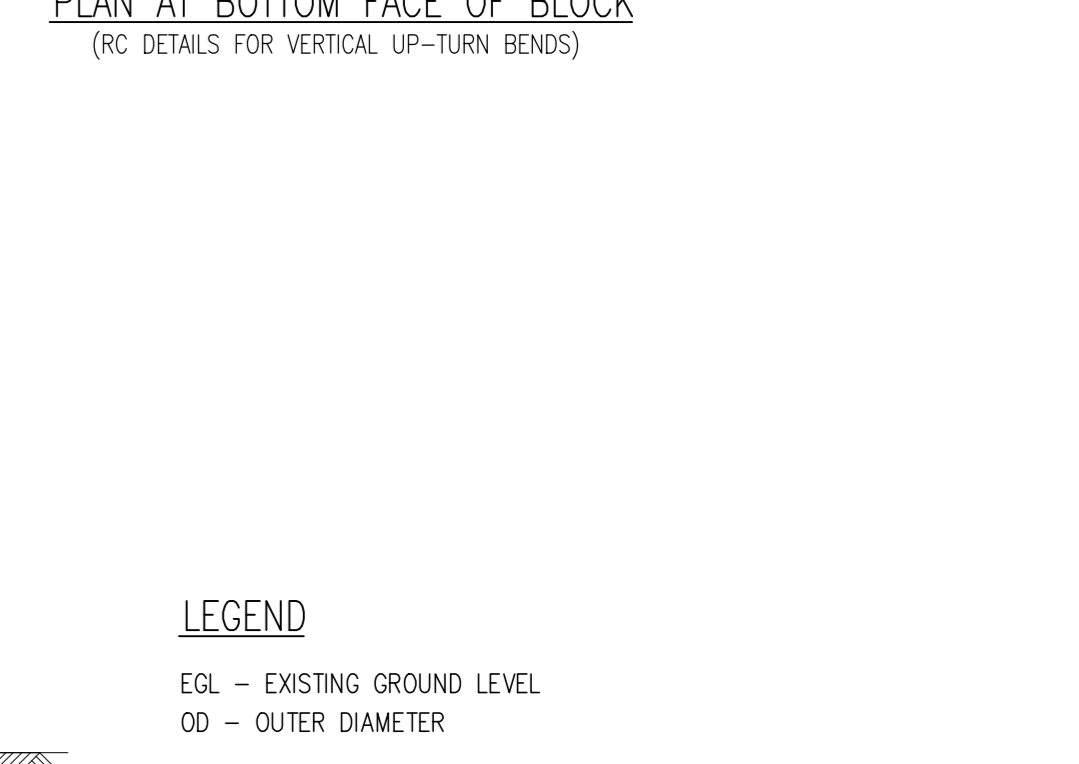
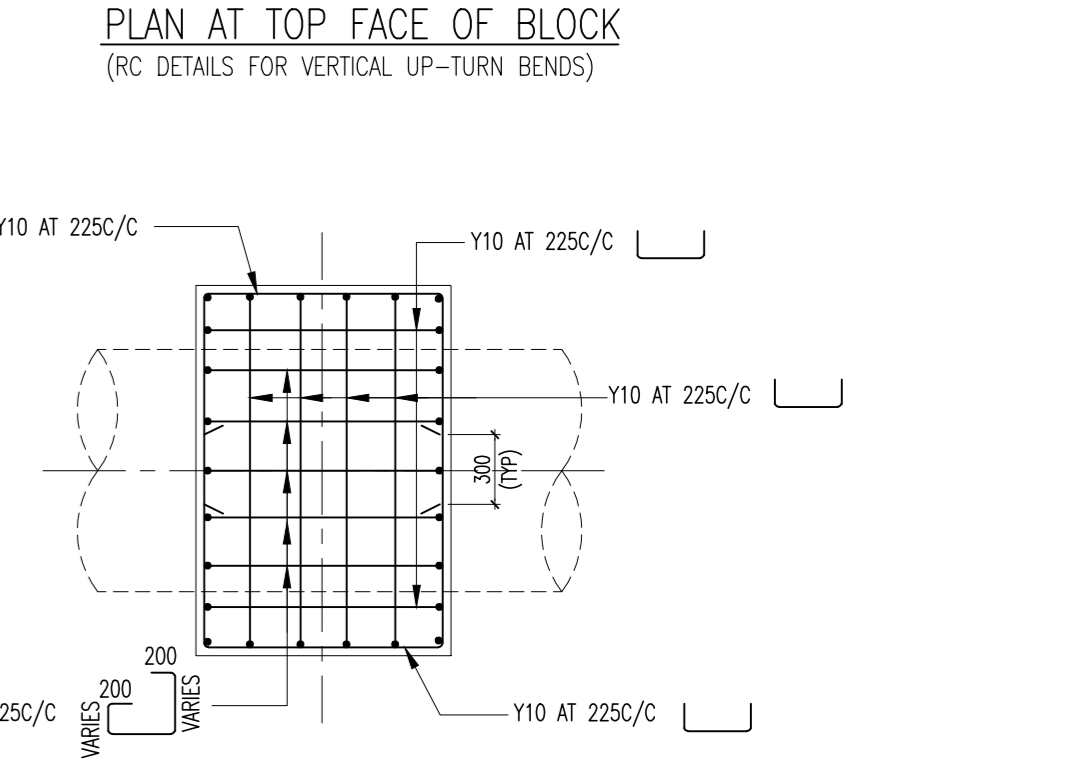
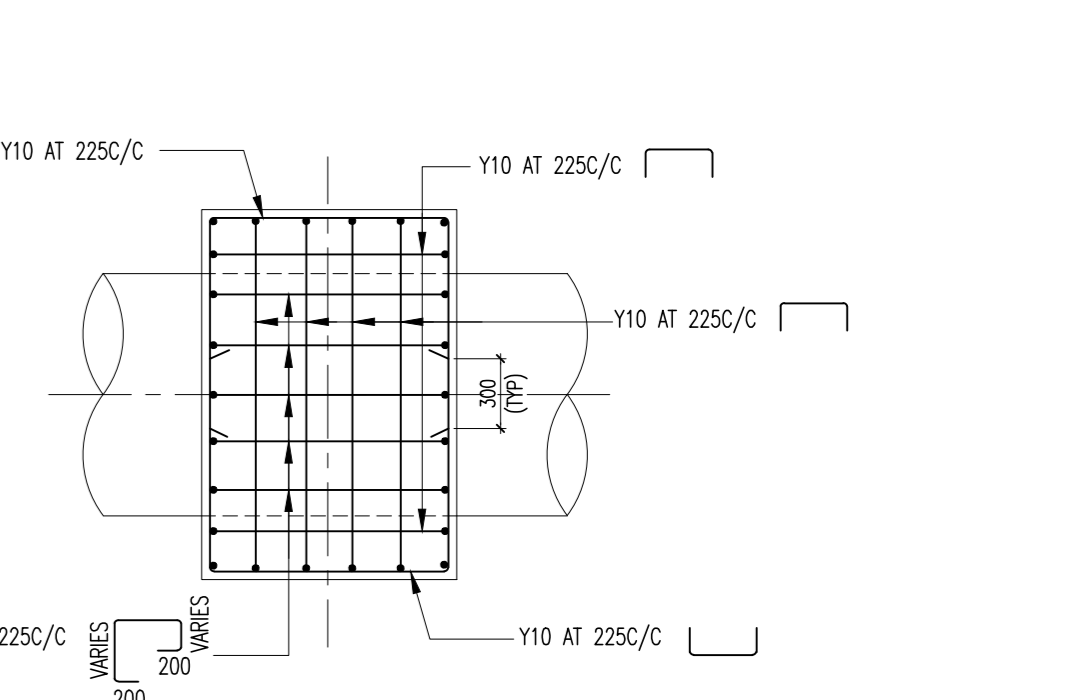
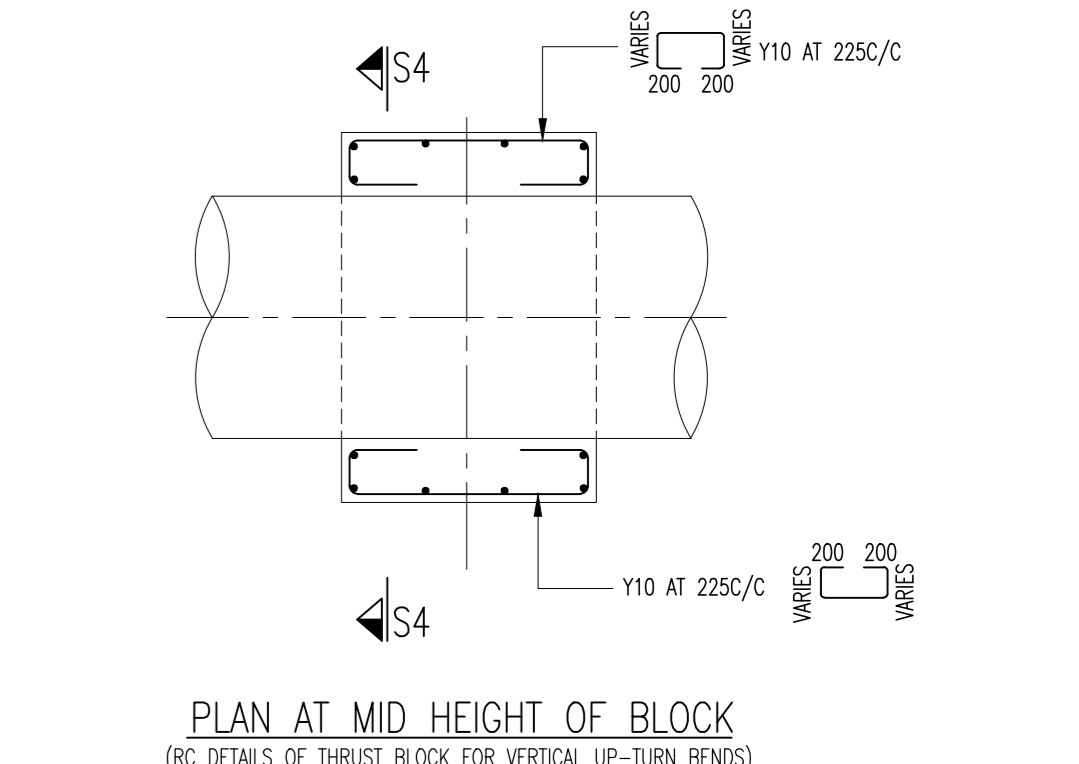
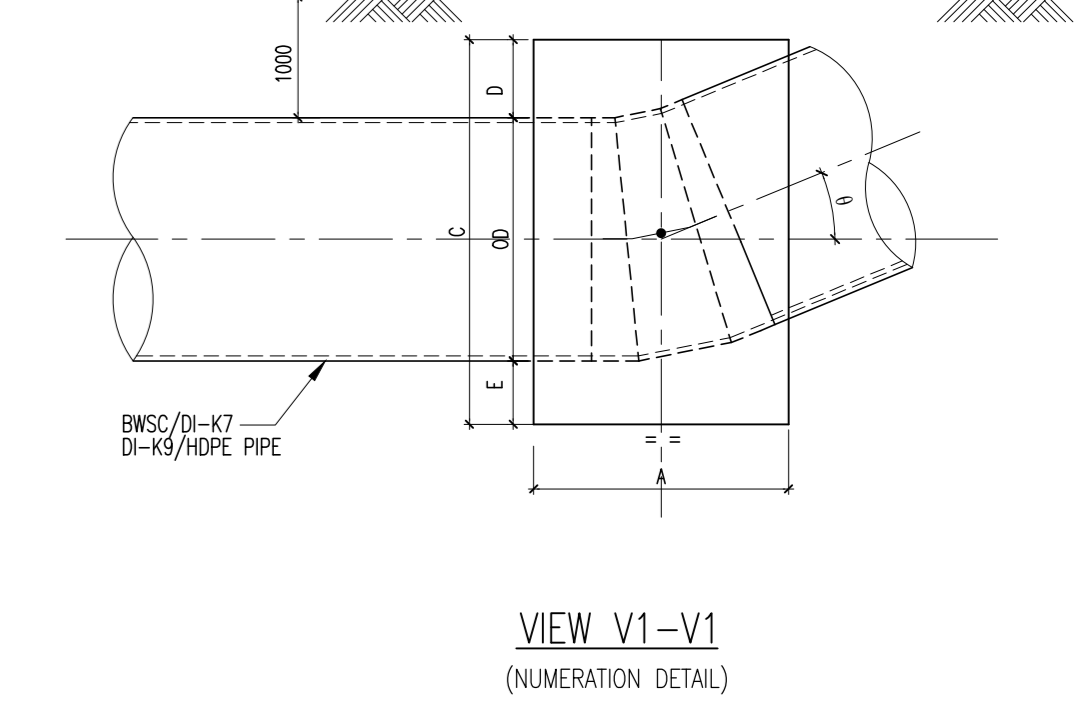
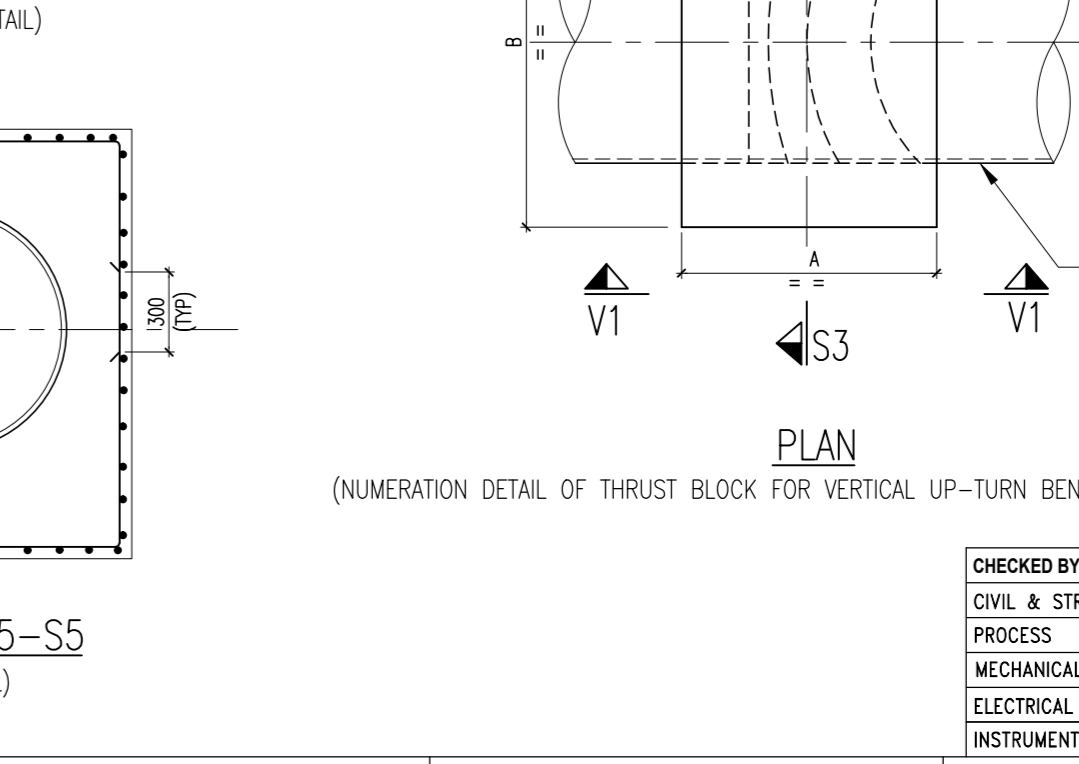
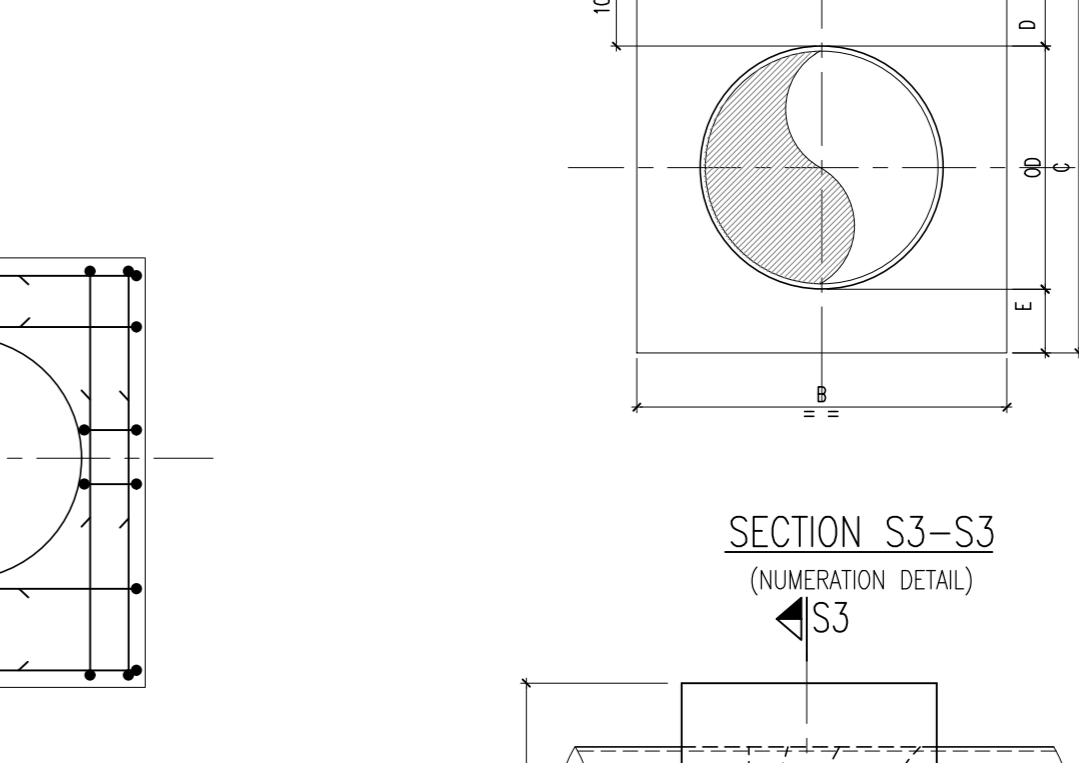
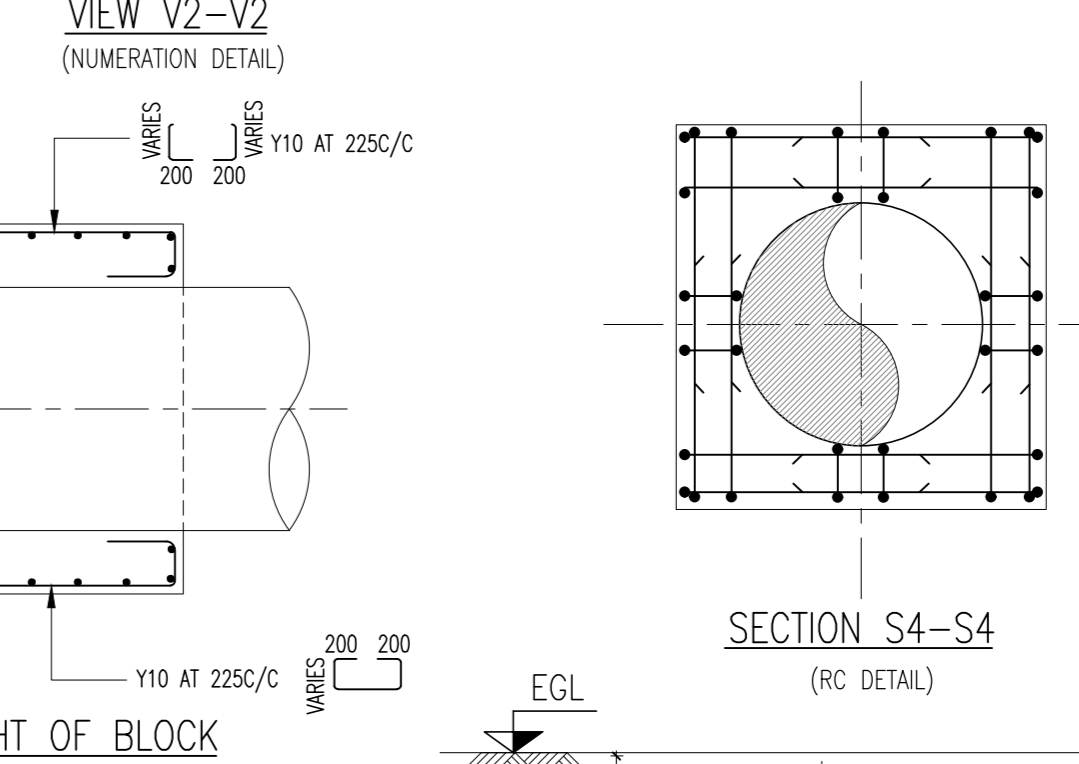
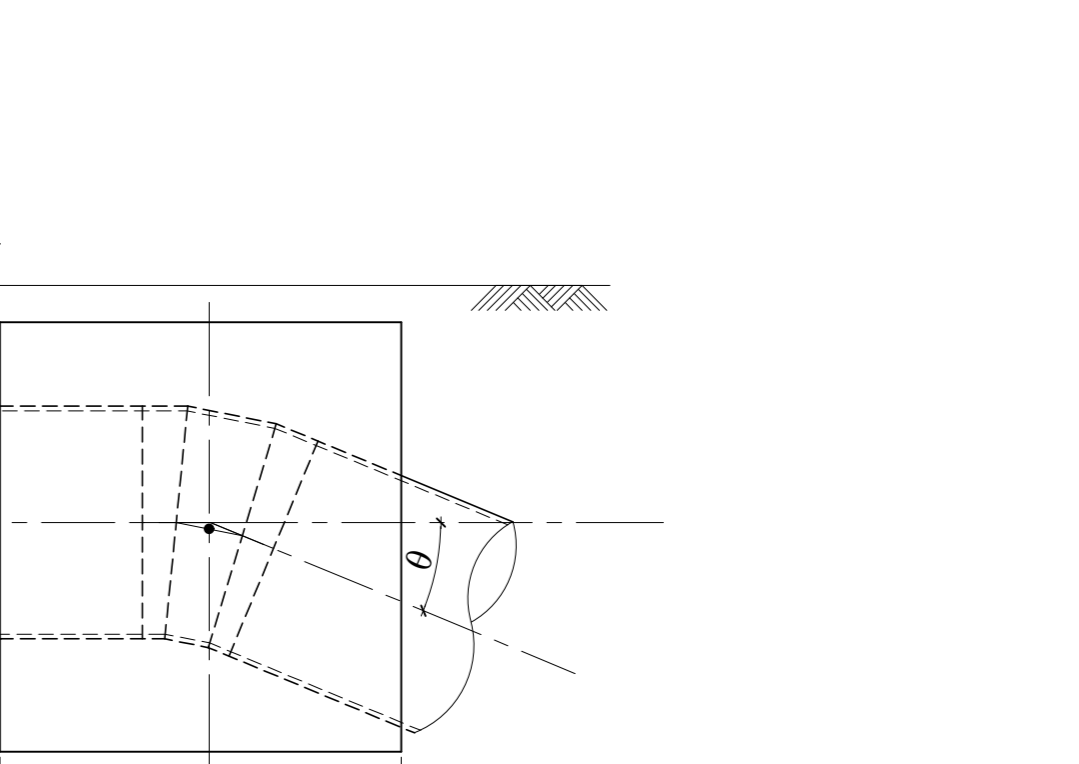
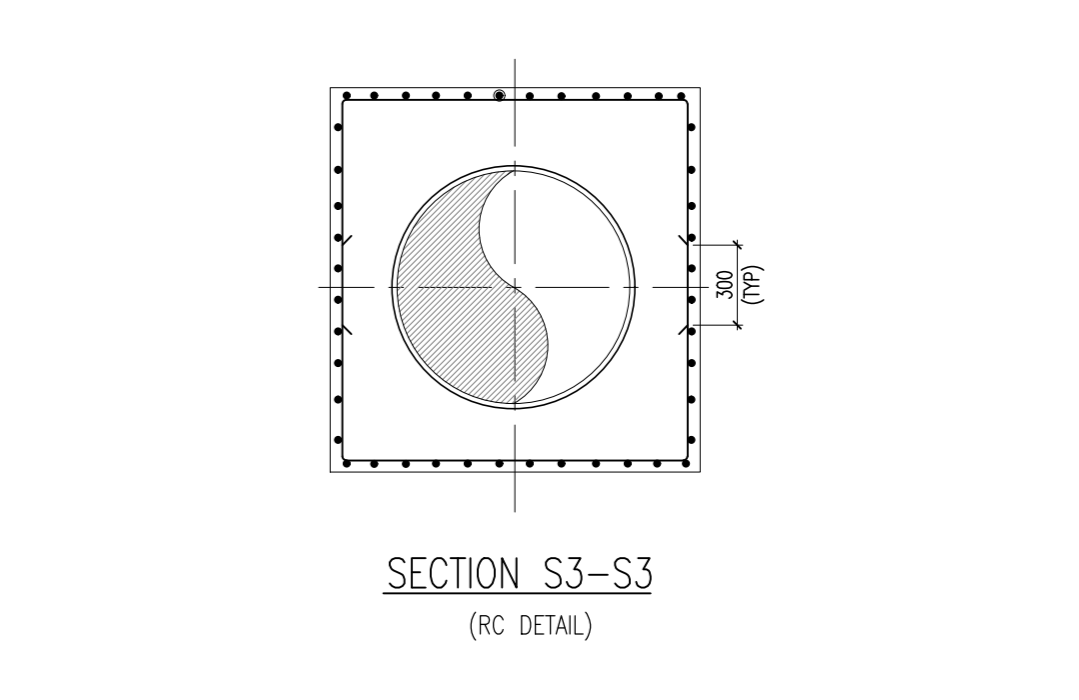
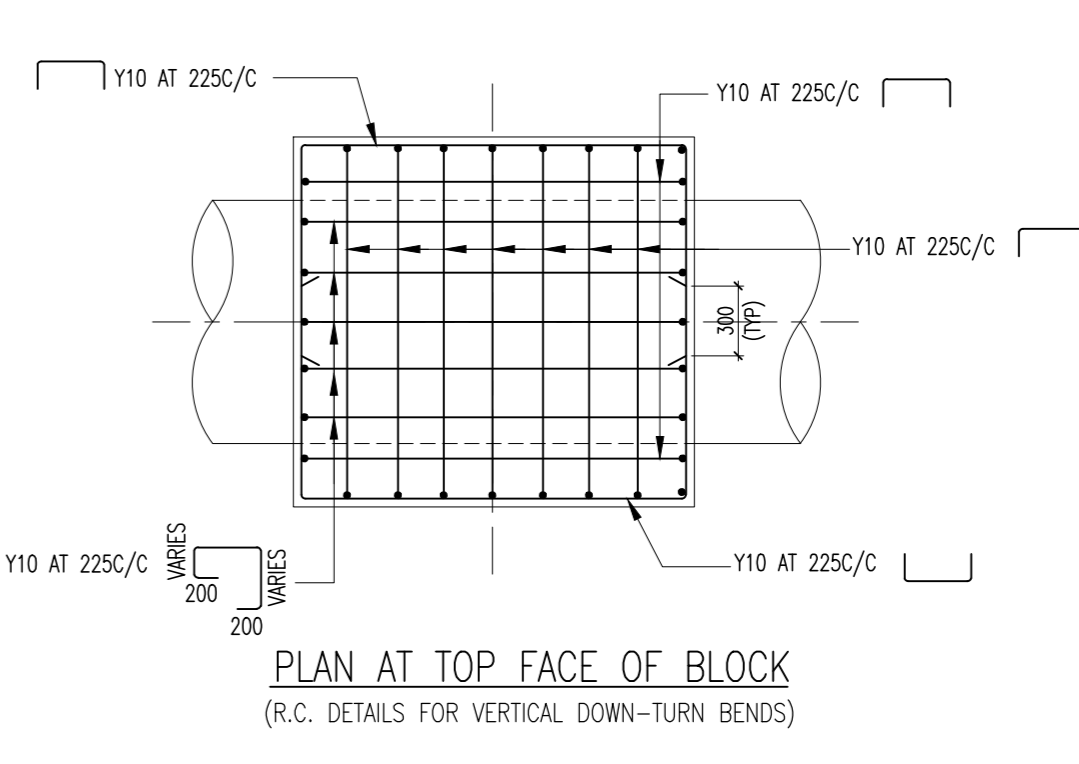
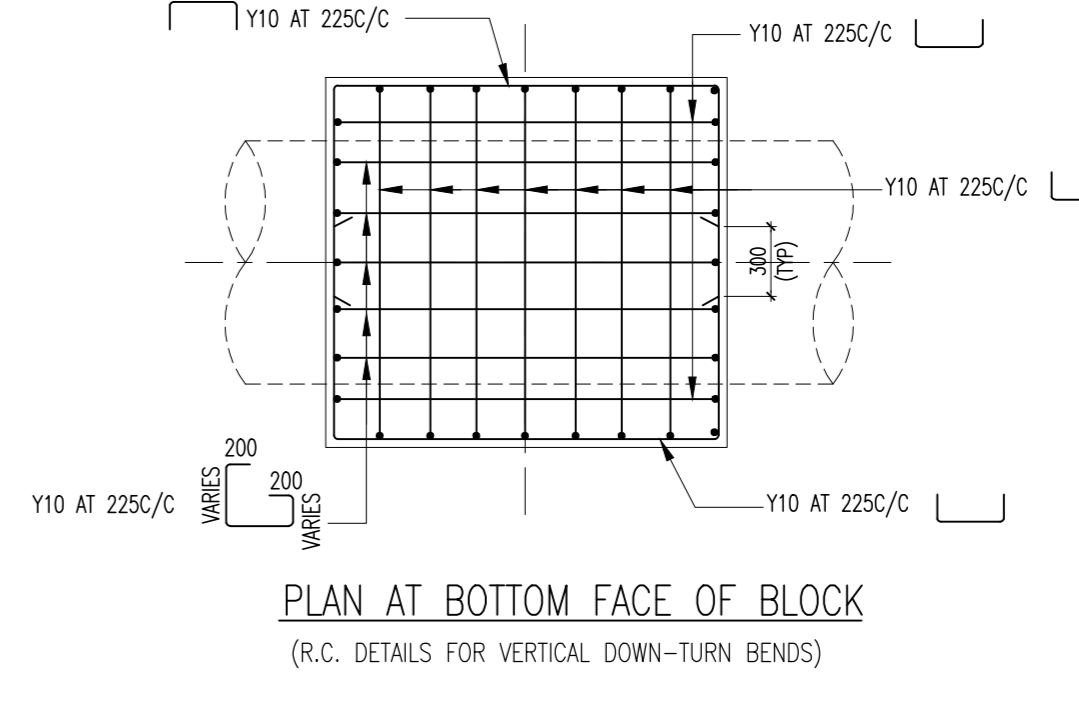
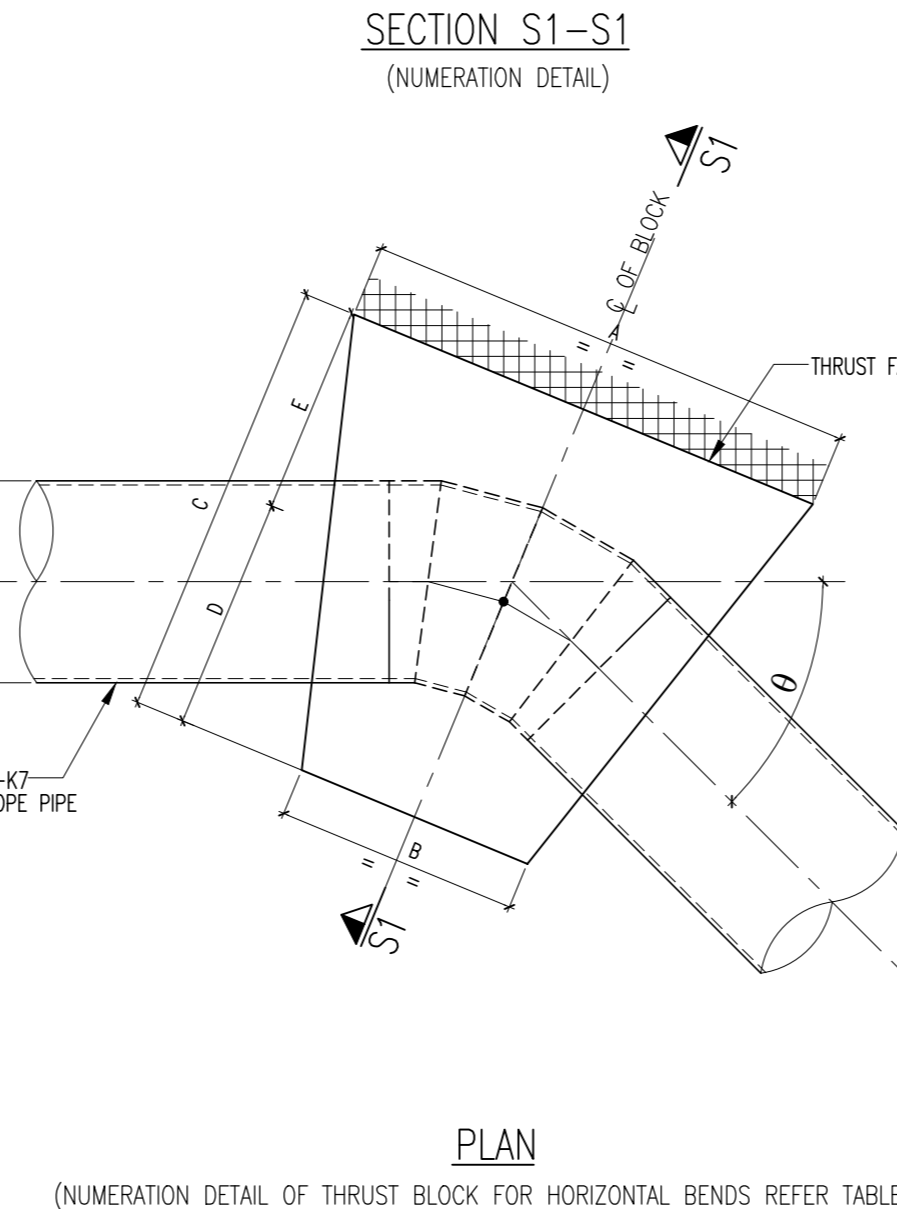
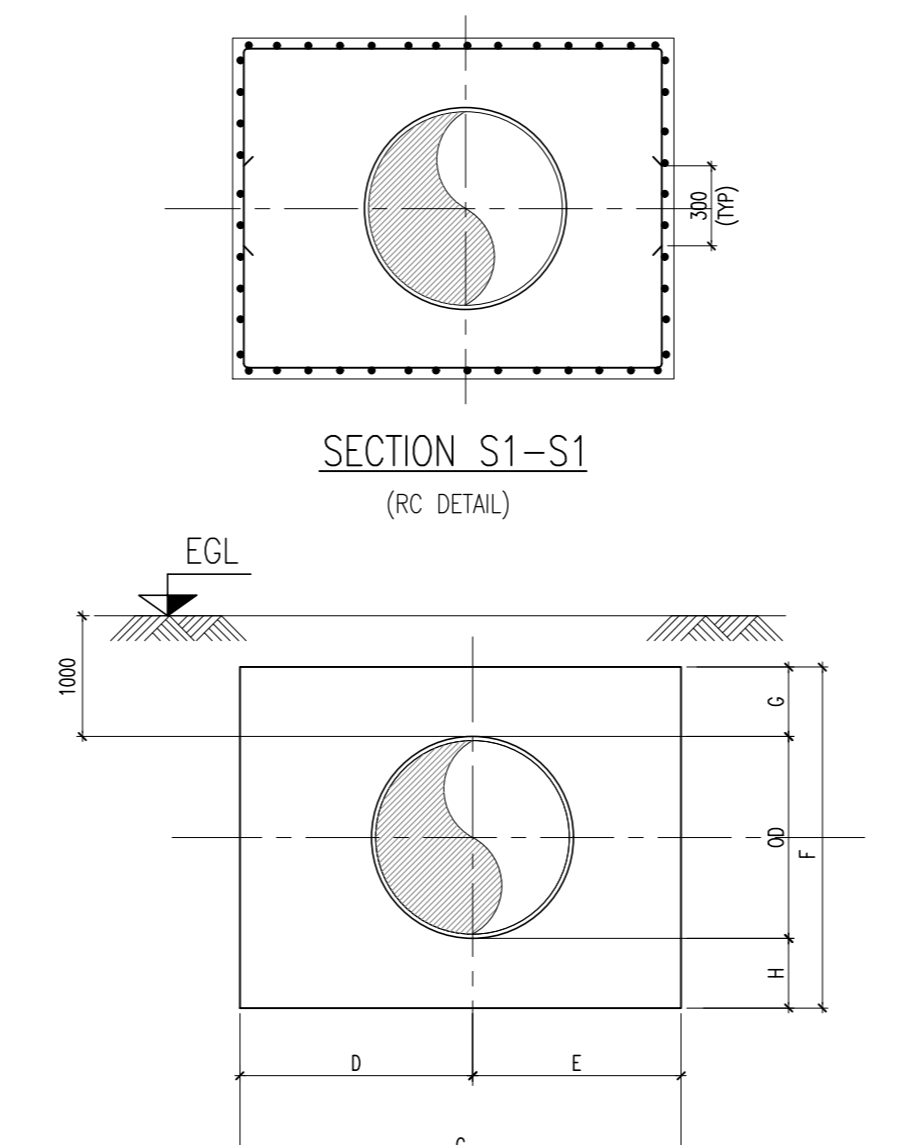
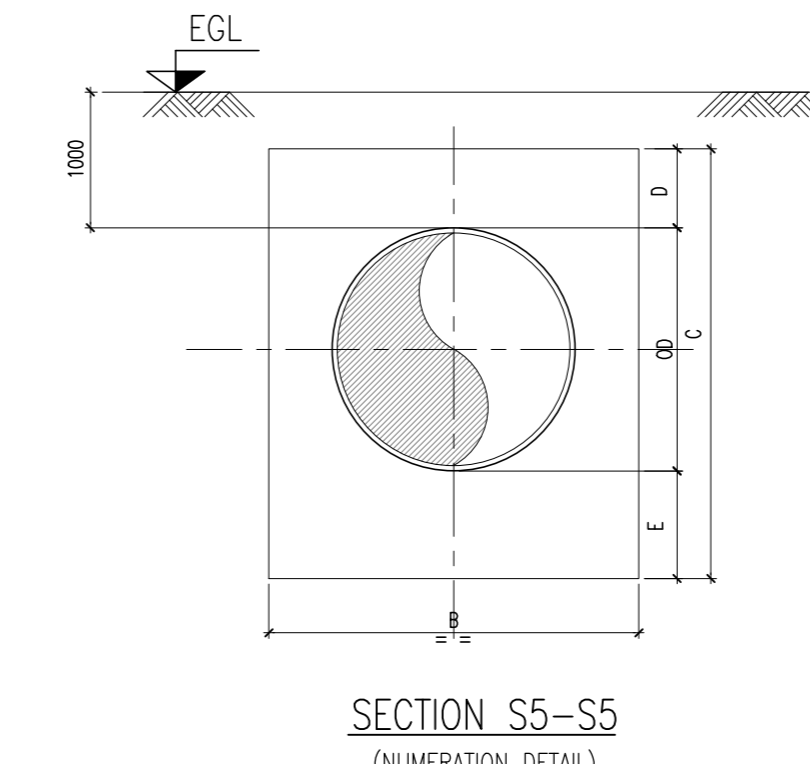
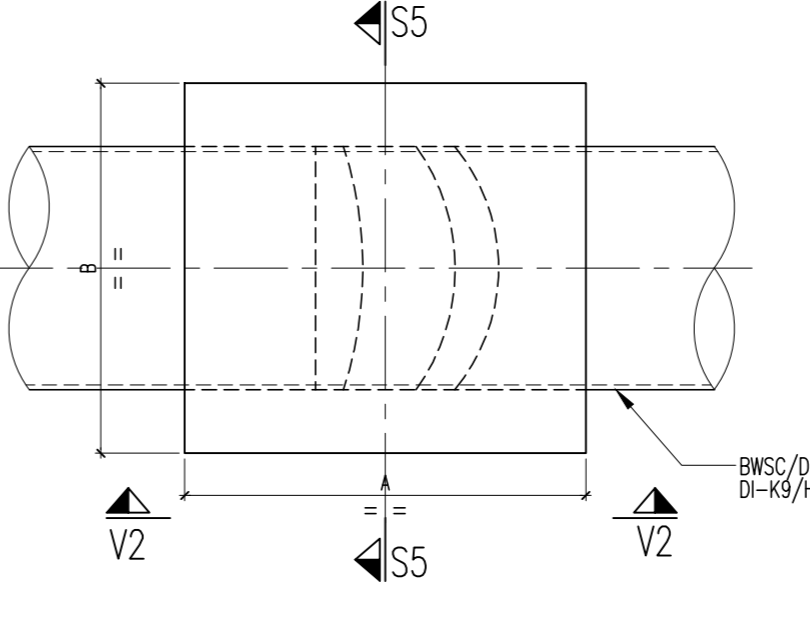
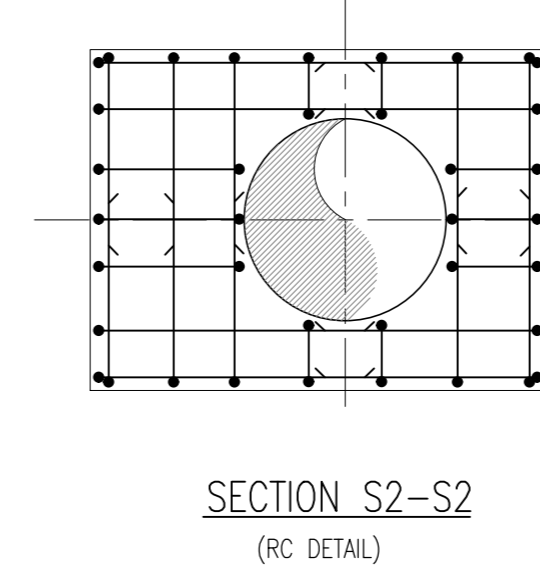
Table with 5 columns: Pipe dia (mm), Pipe OD (mm), Angle (degrees), A (mm), B (mm), C (mm), D (mm), E (mm). Rows include vertical upturn bends for BWSG pipe and vertical downturn bends for DI-K7 and DI-K9 pipes.

TABLE - 1

Table with 8 columns: Pipe dia (mm), Pipe OD (mm), Angle (degrees), A (mm), B (mm), C (mm), D (mm), E (mm), F (mm), G (mm), H (mm). Rows include horizontal bends for BWSG pipe and vertical downturn bends for DI-K7 and DI-K9 pipes.

TABLE - 1

Table with 8 columns: Pipe dia (mm), Pipe OD (mm), Angle (degrees), A (mm), B (mm), C (mm), D (mm), E (mm), F (mm), G (mm), H (mm). Rows include horizontal bends for HDPE pipe-10kg/cm2 and HDPE pipe-12.5kg/cm2.



- LEGEND: EGL - EXISTING GROUND LEVEL, OD - OUTER DIAMETER. NOTES: 1. ALL DIMENSIONS ARE IN MM AND LEVELS ARE IN METRES. 2. GRADE OF CONCRETE SHALL BE M20. 3. ALL REINFORCEMENT BARS SHALL BE HYSD BARS OF GRADE Fe 415 CONFORMING TO IS:1786 - 1985. 4. THRUST BLOCK SHALL BE CAST AGAINST THE UNDISTURBED FACE OF EXCAVATED TRENCH. 5. SOIL BENEATH AND BY THE SIDE OF THRUST BLOCK WHICH ULTIMATELY BEARS THRUST THROUGH CONCRETE MEDIUM MUST REMAIN UNDISTURBED. IN CASE OF ANY EXTRA EXCAVATION IS DONE IN TRENCHES BELOW THE BASE OF THRUST BLOCK AND THRUST FACE SIDE, THE GAP/DIFFERENCE SHALL BE FILLED WITH M15. 6. PIPE AND SPECIALS SHALL BE SUITABLY SUPPORTED WHILE CONCRETING THE THRUST BLOCK. 7. TESTING OF PUMPING MAN SHALL BE DONE AFTER CASTING OF THRUST BLOCKS AND COMPACTION OF BACK FILLING.

Table with 4 columns: NO., FOR APPROVAL, DESCRIPTION, DESIGNED, DRAWN, CHECKED, APPROVED. Includes L&T Construction logo and project details.

Table with 4 columns: CHECKED BY, DATE, DISCIPLINE, STATUS. Includes checkboxes for CIVIL & STRUCTURAL, MECHANICAL, ELECTRICAL, INSTRUMENTATION, PRELIMINARY, TENDER, INFORMATION, APPROVAL, CONSTRUCTION.